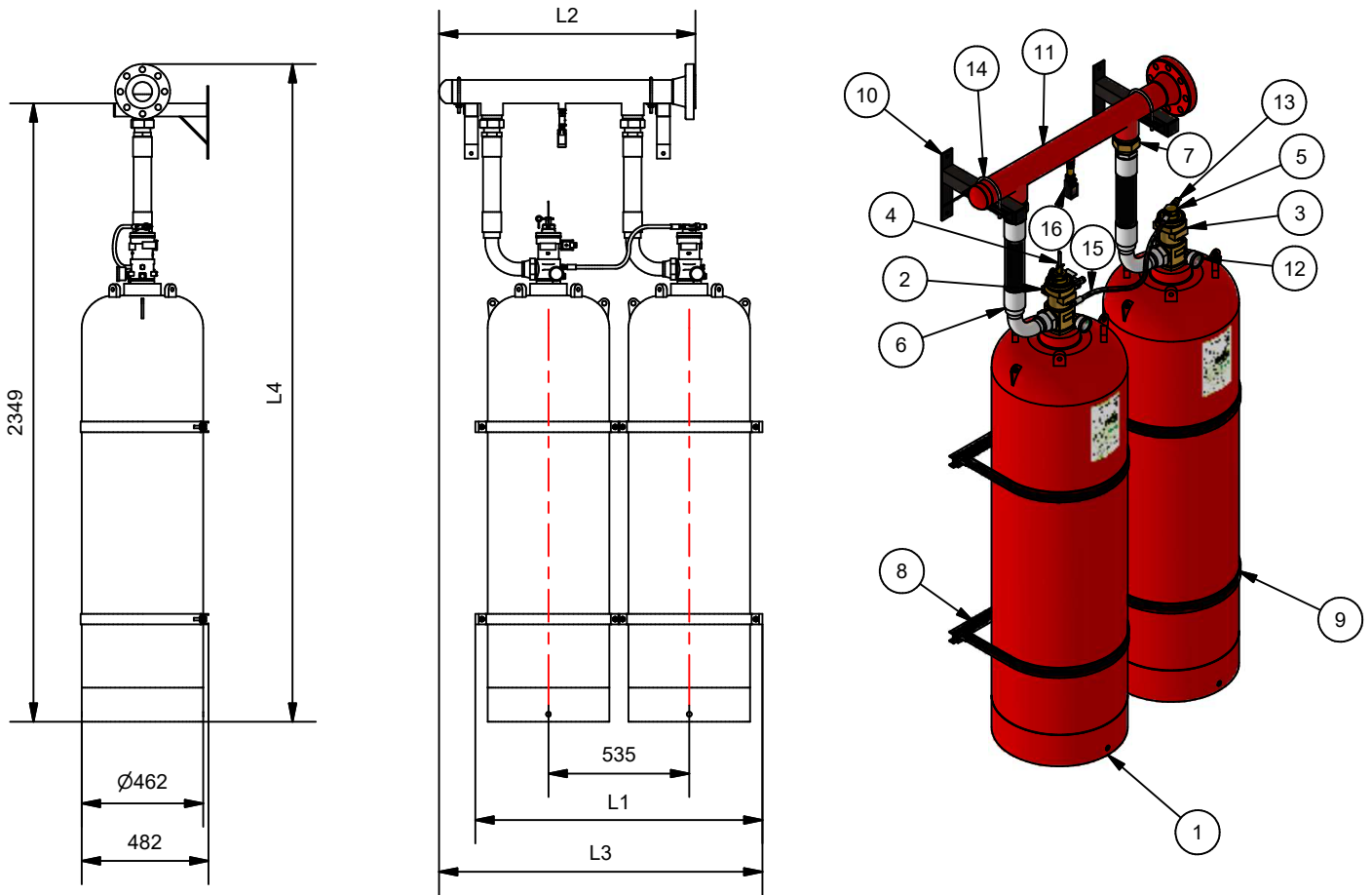


FK-5-1-12 CYLINDERS 240 L SINGLE ROW

AEX/FKB240-(xx)

Specifications								
Reference	Cylinders	Maximum load	L1	L2	L3	L4	Manifold outlet*	Manifol reference*
AEX/FKB240-02	2	520,2	1091 mm	975 mm	1229 mm	2499 mm	Brida 3"	CFK3S2U150240
AEX/FKB240-03	3	780,3	1626 mm	1542 mm	1777 mm	2544 mm	Brida 4"	CFK4S3U150240
AEX/FKB240-04	4	1040,4	2161 mm	2077 mm	2312 mm	2544 mm	Brida 4"	CFK4S4U150240
AEX/FKB240-05	5	1300,5	2696 mm	2638 mm	2860 mm	2590 mm	Brida 5"	CFK5S5U150240
AEX/FKB240-06	6	1560,6	3231 mm	3173 mm	3395 mm	2590 mm	Brida 5"	CFK5S6U150240
AEX/FKB240-07	7	1820,7	3766 mm	3723 mm	3942 mm	2619 mm	Brida 6"	CFK6S7U150240
AEX/FKB240-08	8	2080,8	4301 mm	4258 mm	4477 mm	2619 mm	Brida 6"	CFK6S8U150240
AEX/FKB240-09	9	2340,9	4836 mm	4793 mm	5012 mm	2619 mm	Brida 6"	CFK6S9U150240
AEX/FKB240-10	10	2601	5371 mm	5328 mm	5547 mm	2619 mm	Brida 6"	CFK6S10U150240

*The manifold diameter may vary depending on the hydraulic calculations of each installation.



Parts List		Parts List	
Number	Reference and description	Number	Reference and description
1	BCS250 -Cylinder 240 L FK-5-1-12	9	H462AP - Arco herraje botella
2	AEX-FKV2P - Pilot valve FK-5-1-12	10	HSCNK - Manifold support
3	AEX-FKV2E - Slave valve FK-5-1-12	11	CFK(x)S(y)U150240 - (x) " Manifold for (y) cylinders
4	AEX-FKAM2 - Manual / pneumatic actuator	12	AEX-FKMCNC25 - Contact pressure gauge
5	AEX-FKAN - Pneumatic actuator	13	AEX-FKVA - Relief valve
6	AEX-FKL2 - Discharge hose	14	HA(x) - (x)" Strut
7	AEX-FKVR2 - Check valve	15	AEX-FKLM12 - Trigger hose
8	HTP(x)N535 - Rear cross member for (x) cylinders	16	AEX-CP1 - Step contactor (optional)



Av. Alfonso Peña Boeuf, 6 y 9
28022 MADRID - ESPAÑA
TEL: +34 913121656
FAX: +34 913295820

TECHNICAL DATA SHEET

FK-5-1-12 CYLINDERS 240 L SINGLE ROW

Description: Complete cylinder bank, equipped with manual and electric actuator, pressure gauges, hoses and manifold.

Sheet code:	Solution sheet:	Reference:	Drawn:	Date:	Revised:	Date:	Revision:	Format:
AEX-FTC-61-009	FK-5-1-12	AEX/FKB240-(xx)	DCM	18-03-24	ENC	18-03-24	1.3	A4